

Press Release

Tuesday, November 9th, 2010

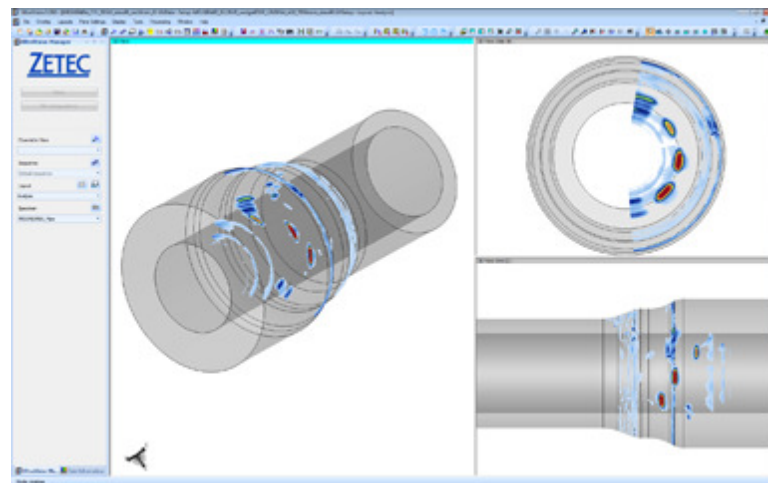
Contact: Louis Beaulieu-Charbonneau
418-263-3901

ZETEC introduces the ZIRCON™: Portable Phased Array UT System

(Québec, Québec, Canada) – ZETEC, Inc., the leading supplier of mission-critical NDT solutions, is proud to introduce the ZIRCON, a battery-operated 32/128PR portable phased array unit featuring a rugged casing with no air intake and state-of-the-art electronics for outstanding signal quality. This next-generation phased array UT instrument is also equipped with 2 dedicated conventional UT channels pulsing at 200V for pulse-echo, pitch-catch or TOFD inspections. Also worth mentioning is the PR mode, essential to truly benefit from the potential of dual arrays on attenuating materials.



Driven by the industry-leading UltraVision® 3 software, this equipment can generate data files up to 20 GBytes with a high data throughput. By handling up to 1,024 focal laws, it allows the user to fully benefit from the versatility of phased array



technology. By combining the most feature-rich software of the industry and a high-performance, portable instrument, you create the system of choice for automated or manually encoded inspections: welds, turbine components, castings, piping and aerospace applications. Zetec's long history of high-quality products is continuing, only to be more compact and more portable.

About ZETEC

ZETEC, founded in 1968, is the leading provider of nondestructive evaluation (NDE) inspection solutions based on integrated multi-method technologies - eddy current, ultrasonic, remote field, and magnetic flux leakage. The company portfolio includes a complete line of systems, instrumentation, software products, supplies, calibration, repair, training, and inspection services, all offered worldwide. ZETEC, a trusted partner in mission critical inspection applications for the power generation industry, is headquartered in Snoqualmie, Washington with offices in Quebec City, Quebec, Canada; Canada; Seoul, Korea; Beijing, China; and Paris, France. For more information about ZETEC's products and services, visit www.zetec.com or contact Customer Service at customerservice@zetec.com or ZETEC, Inc., 875 bl. Charest Ouest, Suite 100, Québec, Qc, G1N 2C9 – Phone: 418-266-3020 or Fax: 418-263-3742.

#